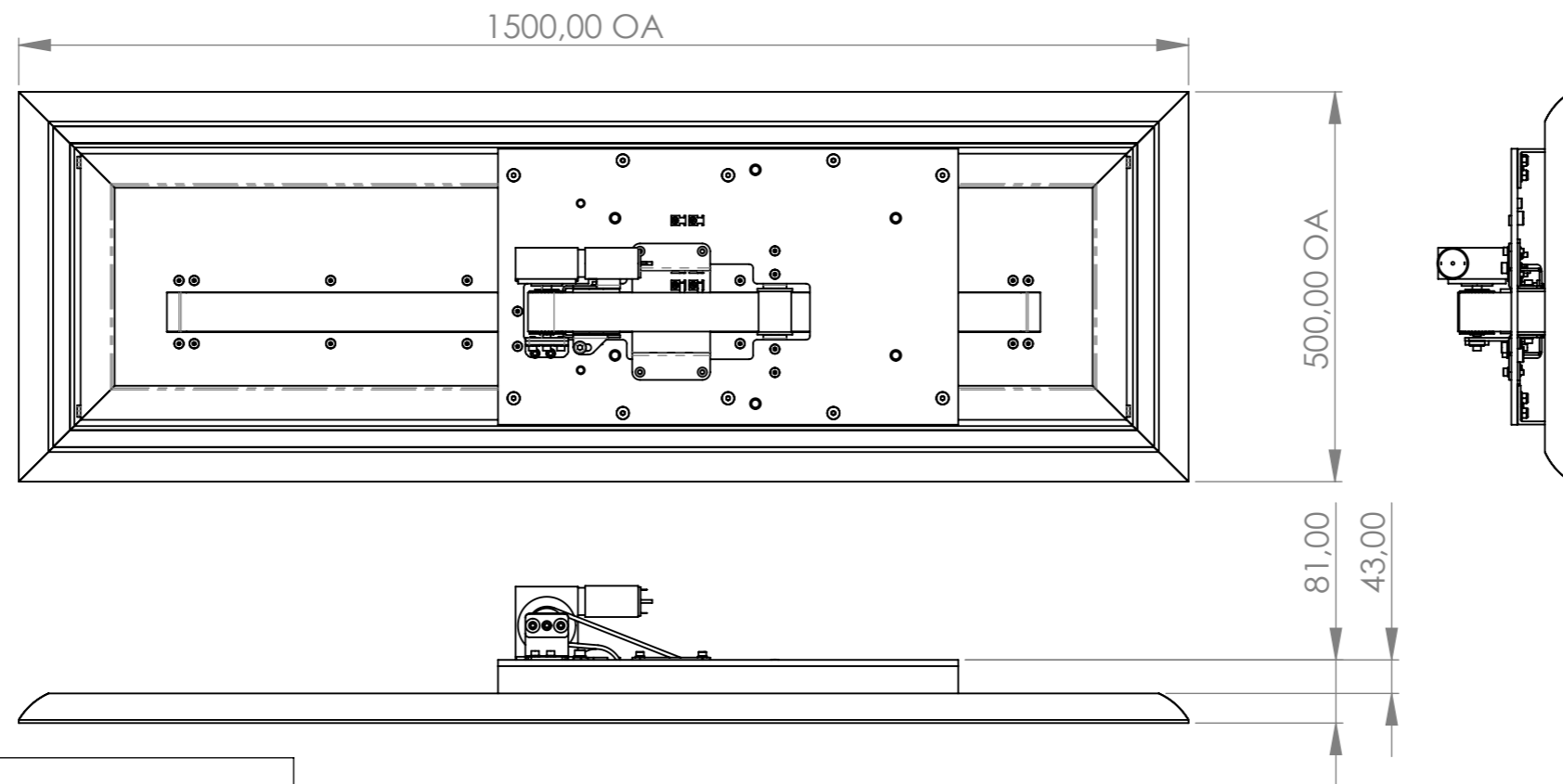
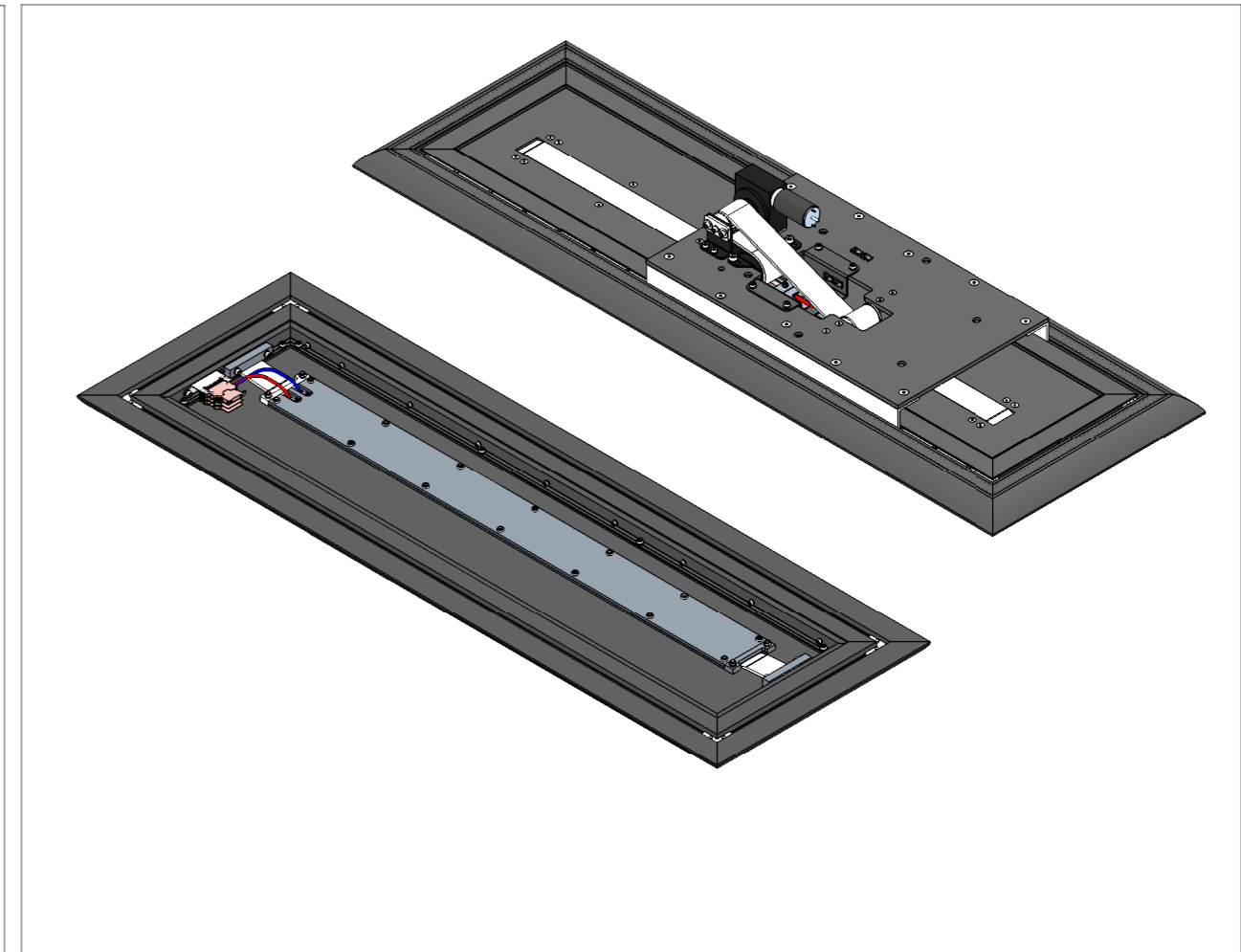
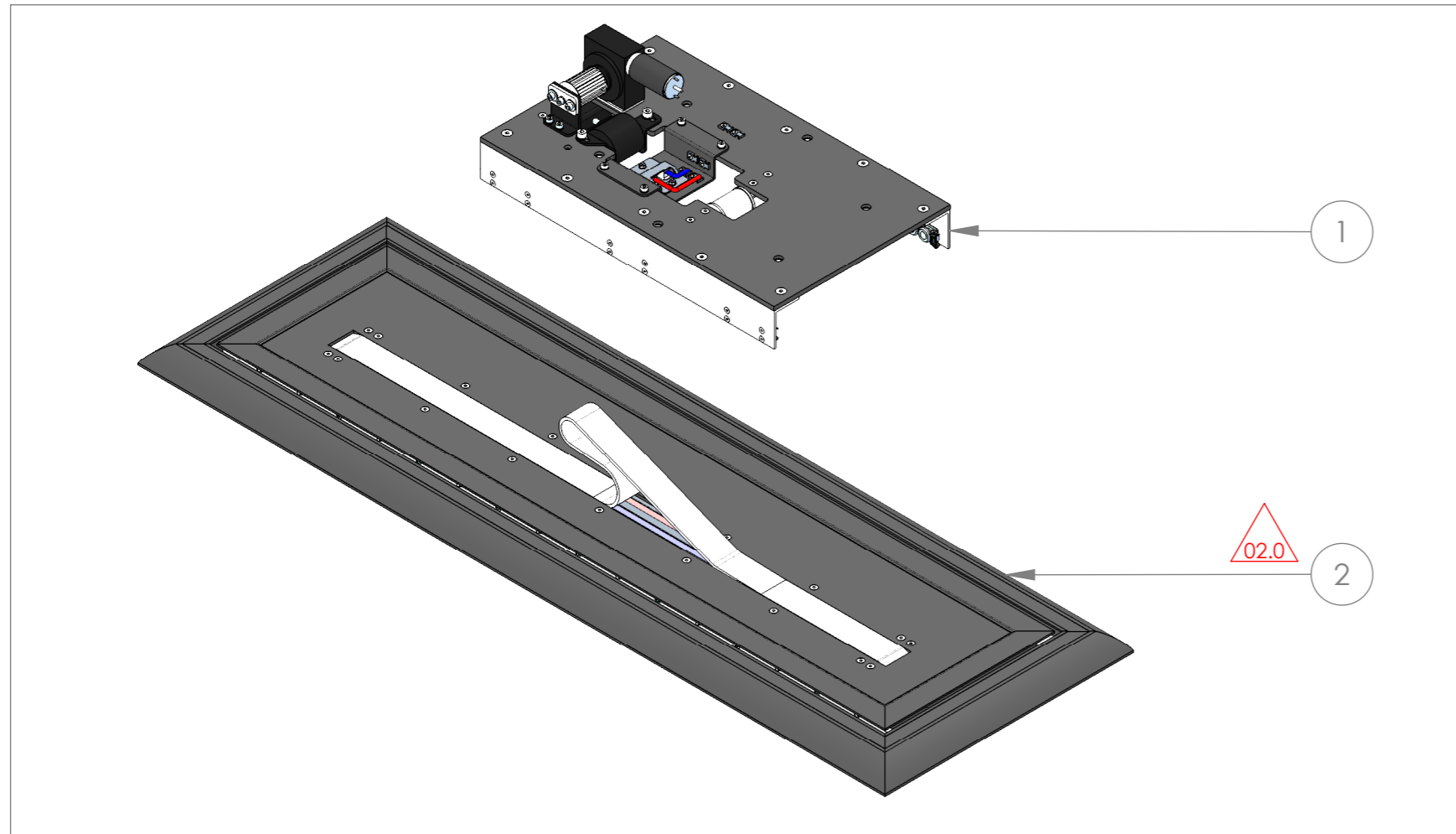


#	PART NUMBER	DESCRIPTION	QTY.
1	ALU-A0605	Electric Wagon	1
2	ALU-A0608	1.5m Electric Track - Top	1



TOLERANCES
Except where otherwise stated

LINEAR	ANGULAR
X +/- 0,50	X +/- 0,50
X,X +/- 0,20	X,X +/- 0,20
X,XX +/- 0,10	X,XX +/- 0,10
X,XXX +/- 0,05	X,XXX +/- 0,05

REV.	02.0
Dwg. Nr.	Alutech 3900 Top
Title	Alutech 3900 Top
Configuration	Default
Created	19.03.2018
Material	See Part Files
Finishes	See Part Files

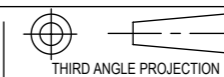
alu
A better seat
Alu Design & Services AS
Skibaasen 44. 4636 Kristiansand
www.alu-design.no

REVISIONS		
REV.	DESCRIPTION	DATE
01.0	Drawing Released	09.04.2018
02.0	ALU-A0608 Updated	18.04.2018



These drawings and specifications are the property of Alu Design & Services. They are issued in strict confidence and shall not be reproduced, copied, or used as the basis manufacturing or sale of apparatus without written permission

Unless otherwise specified
dimensions are in millimeters



NAME DATE SCALE:1:9
Saved SE 18.04.2018 SHEET 1 OF 1

A3