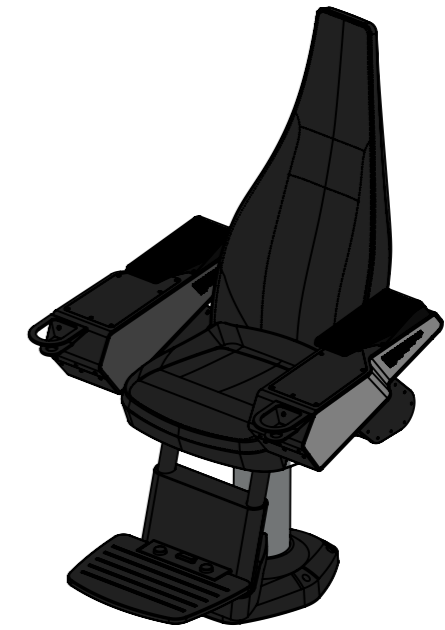
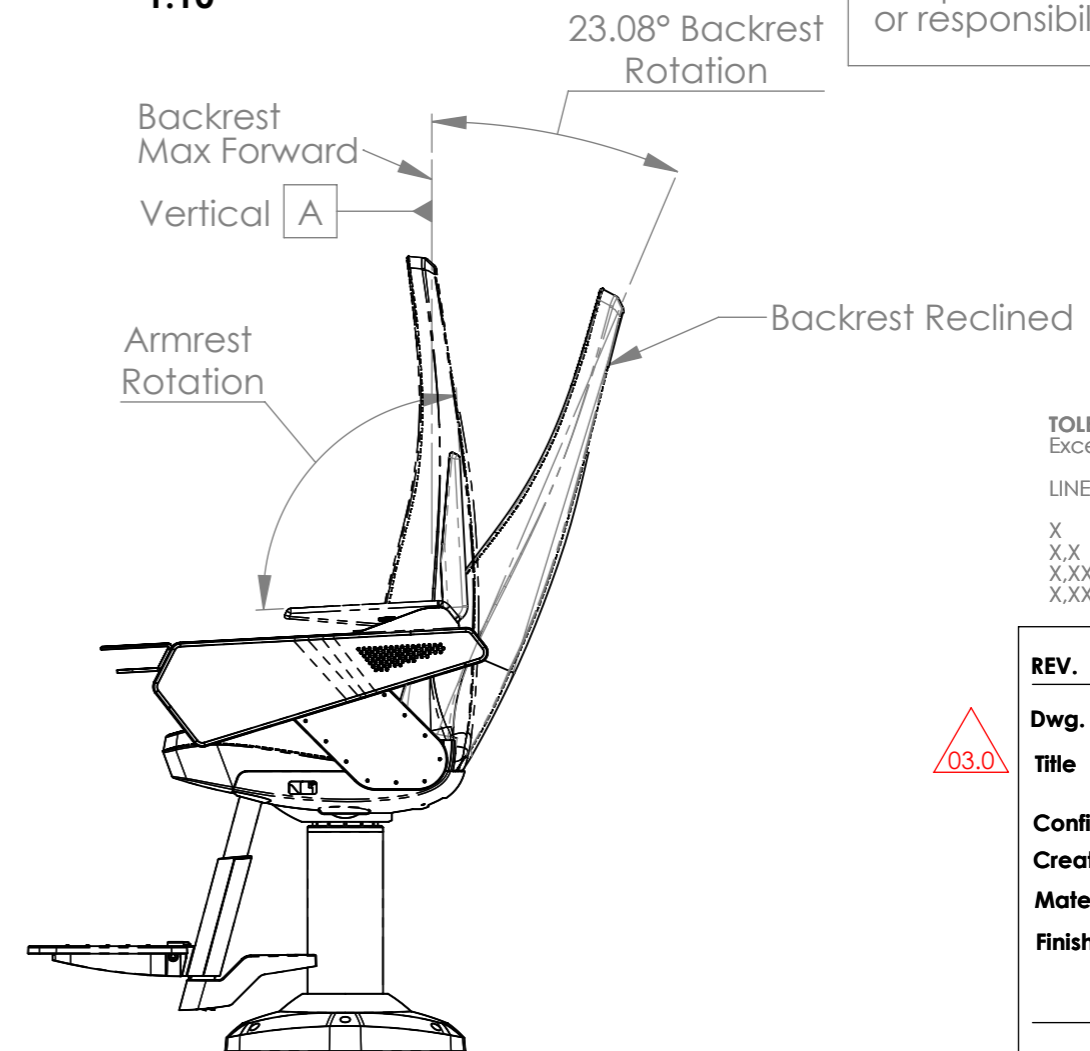
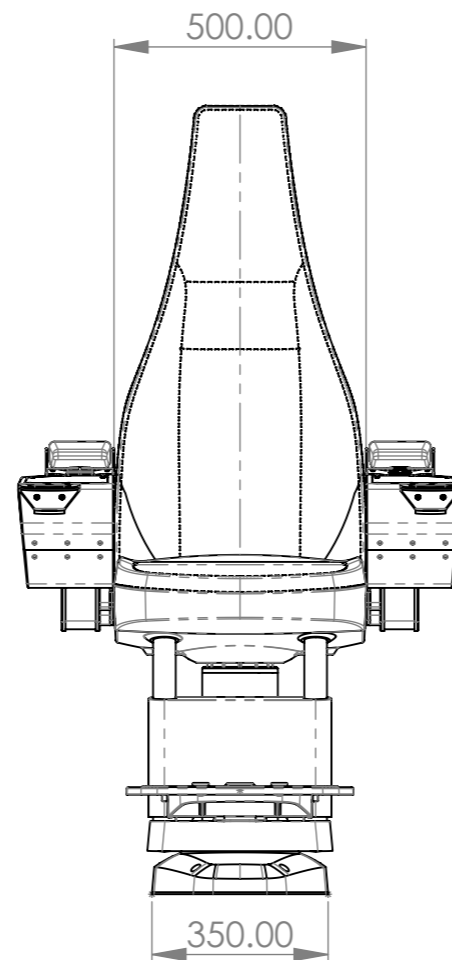
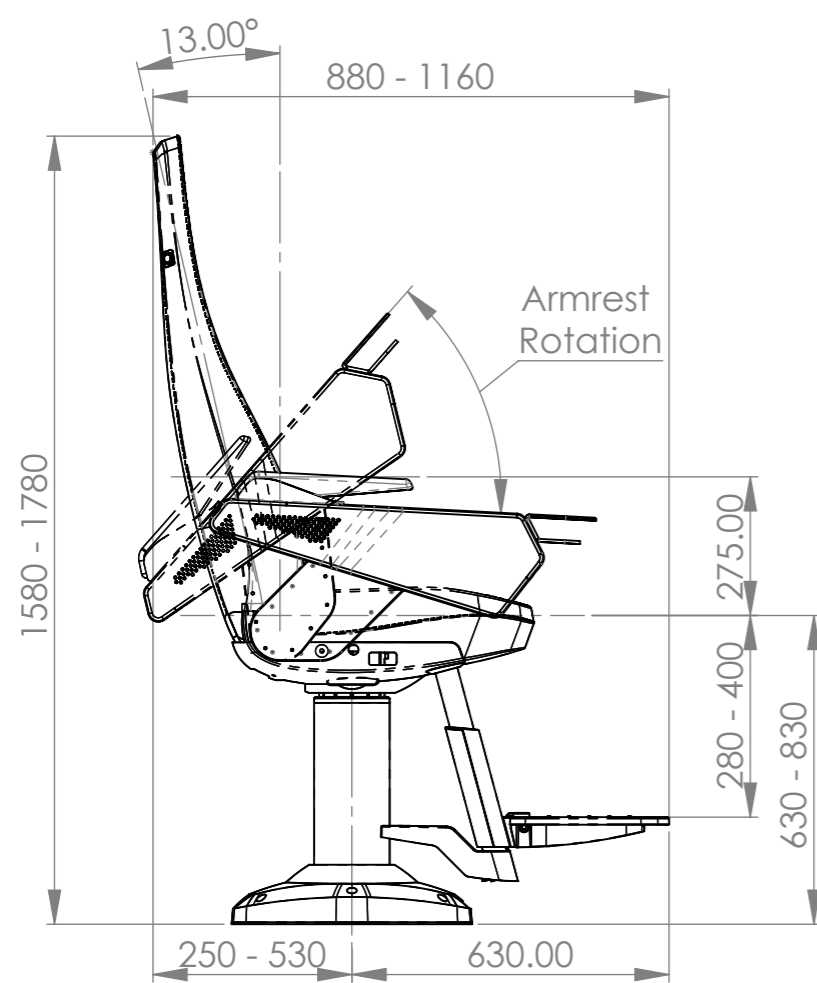


DECK MOUNTING
1:10



NOTE:
Material for fastening to deck is not part of Aludesign's deliveries or responsibilities.

Chair rotation position of limitation can be adjusted for every 90° and can be fixed in any position.



TOLERANCES
Except where otherwise stated

LINEAR	ANGULAR
X +/- 0,50	X +/- 0,50
X,X +/- 0,20	X,X +/- 0,20
X,XX +/- 0,10	X,XX +/- 0,10
X,XXX +/- 0,05	X,XXX +/- 0,05

REV. 04.0

Dwg. Nr. OPL-630_Ergonomics

Title OPL-630_Ergonomics

Configuration OPL-630

Created 24/11/2015

Material SEE PART FILES

Finishes

alu
A better seat

Alu Design & Services AS
Skibaasen 20A. 4636 Kristiansand
www.alu-design.no

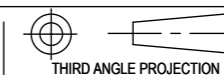
REVISIONS

REV.	DESCRIPTION	DATE
01.0	Original Issue	24.11.2015
02.0	Backrest recline angles updated.	15.01.2016
03.0	Drawing Name changed, was OPL-630-FN	18.05.2016
04.0	Armrest dimensions added and drawing released	24.06.2016



These drawings and specifications are the property of Alu Design & Services. They are issued in strict confidence and shall not be reproduced, copied, or used as the basis manufacturing or sale of apparatus without written permission

Unless otherwise specified dimensions are in millimeters



NAME
Saved

DATE
27/06/2016

SCALE:1:15
SHEET 1 OF 1

A3