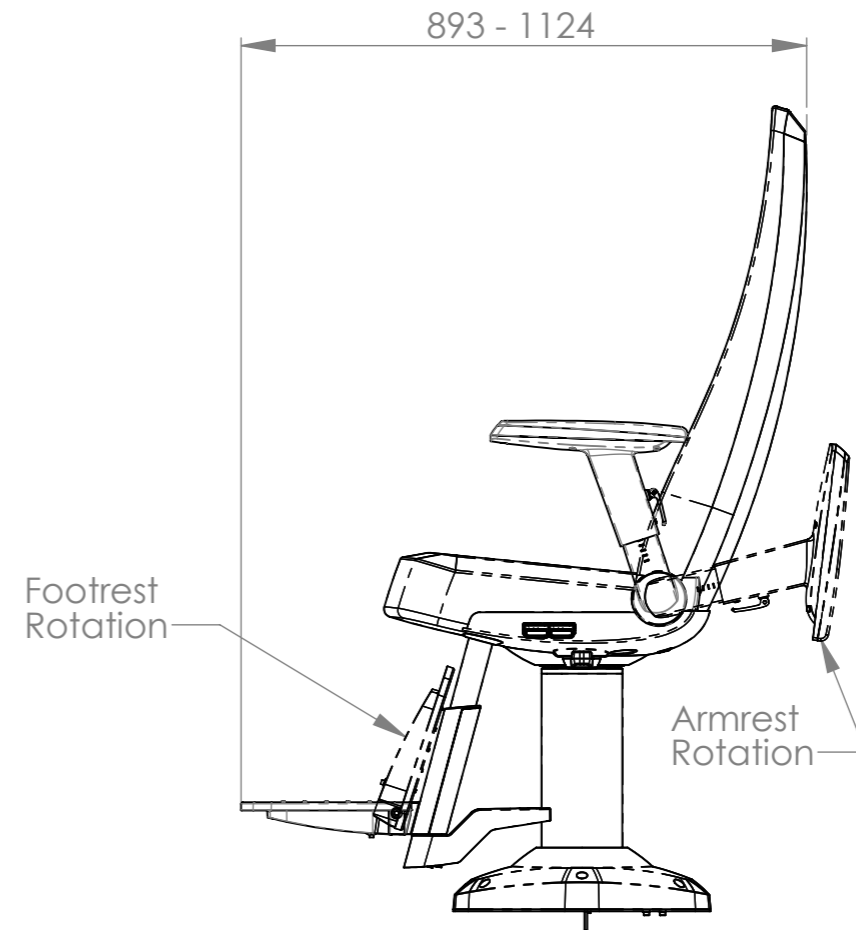
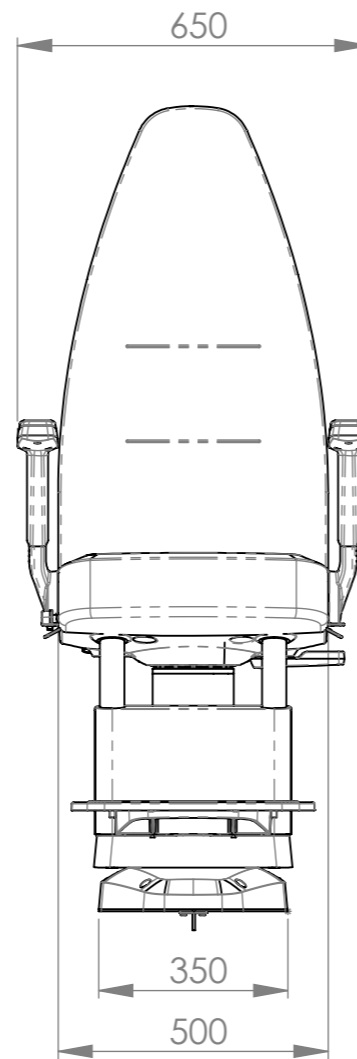
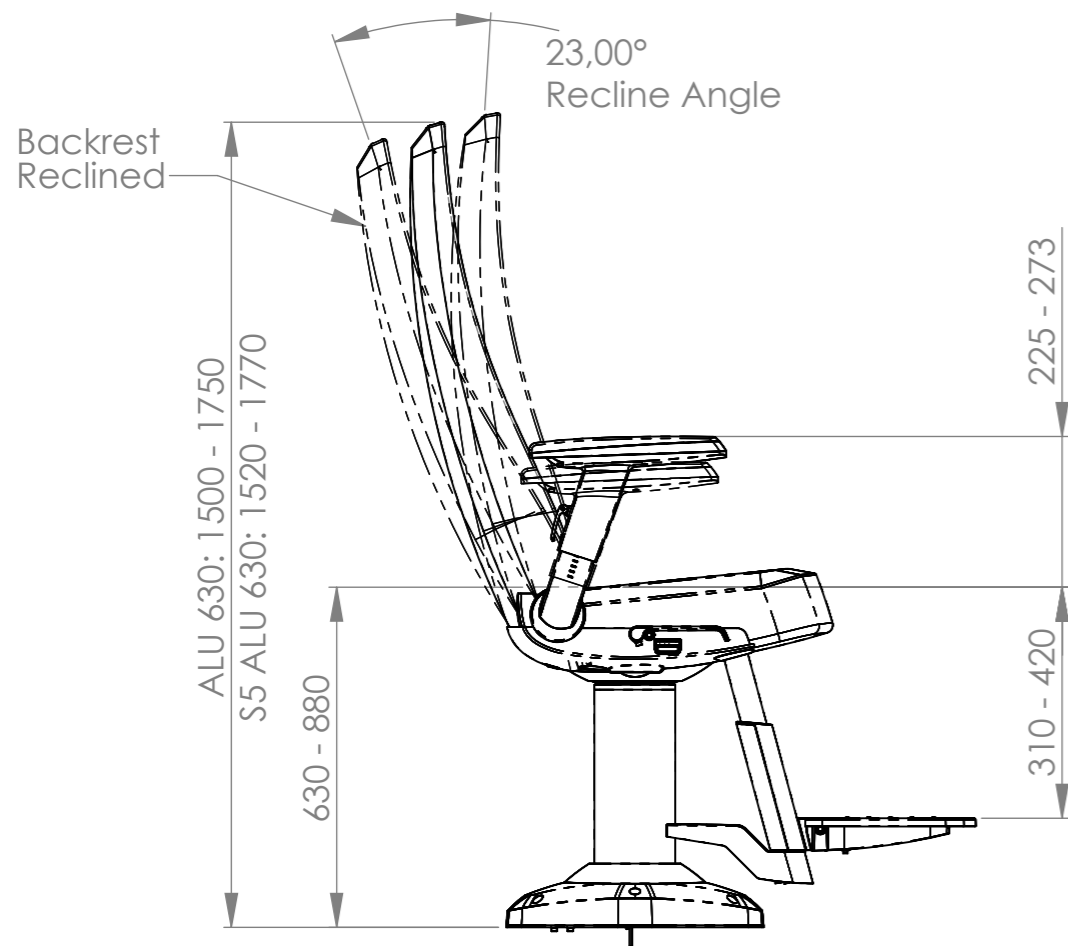


NOTE:  
Material for fastening to deck is not part of Alu Design's deliveries or responsibilities.

Seat height adjusts from 630 mm to 880 mm above the floor.

| INFORMATION        |                                    |
|--------------------|------------------------------------|
| Seat Cushion       | Leather - Black                    |
| Backrest           | Leather - Black                    |
| Extruded Aluminium | Anodised - Natural                 |
| Cast Aluminium     | Powdercoated - Grey                |
| Armrest Top        | Polyurethane Integral Foam - Black |



**TOLERANCES**  
Except where otherwise stated

| LINEAR |          | ANGULAR |          |
|--------|----------|---------|----------|
| X      | +/- 0,50 | X       | +/- 0,50 |
| X,X    | +/- 0,20 | X,X     | +/- 0,20 |
| X,XX   | +/- 0,10 | X,XX    | +/- 0,10 |
| X,XXX  | +/- 0,05 | X,XXX   | +/- 0,05 |

|                      |                           |
|----------------------|---------------------------|
| <b>REV.</b>          | <b>03.0</b>               |
| <b>Dwg. Nr.</b>      | ALU 630_Ergonomics        |
| <b>Title</b>         | <b>ALU 630_Ergonomics</b> |
| <b>Configuration</b> | ALU 630                   |
| <b>Created</b>       | 07.06.2016                |
| <b>Material</b>      | See Part Files            |
| <b>Finishes</b>      | See Part Files            |



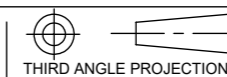
Alu Design & Services AS  
Skibaasen 44. 4636 Kristiansand  
www.alu-design.no

| REVISIONS |  |            |
|-----------|--|------------|
| REV.      | DESCRIPTION  | DATE       |
| 01.0      | Drawing issued   | 13.11.2013 |
| 02.0      | Renamed from ALU-630-200. Dimensions added to footrest, backrest angle and armrests. | 08.12.2020 |
| 03.0      | S5 ALU 630 added to drawing.   | 08.12.2020 |



These drawings and specifications are the property of Alu Design & Services. They are issued in strict confidence and shall not be reproduced, copied, or used as the basis manufacturing or sale of apparatus without written permission

Unless otherwise specified dimensions are in millimeters



NAME SE

DATE

08.12.2020

SCALE:1:14 SHEET 1 OF 2

A3