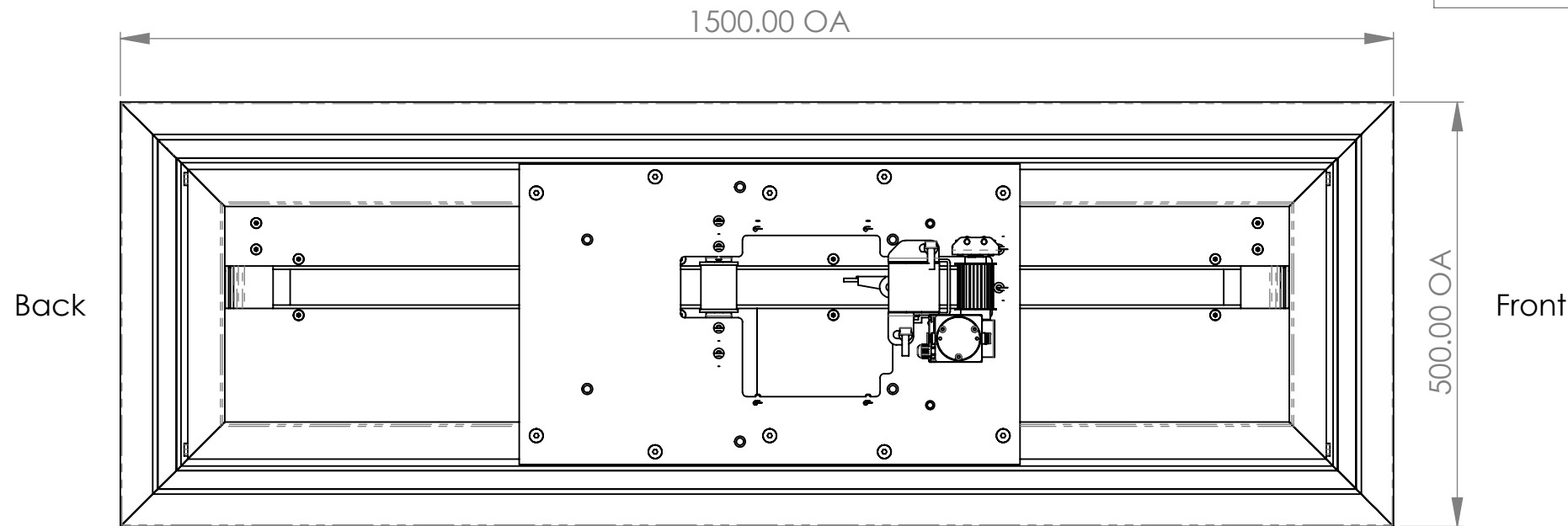
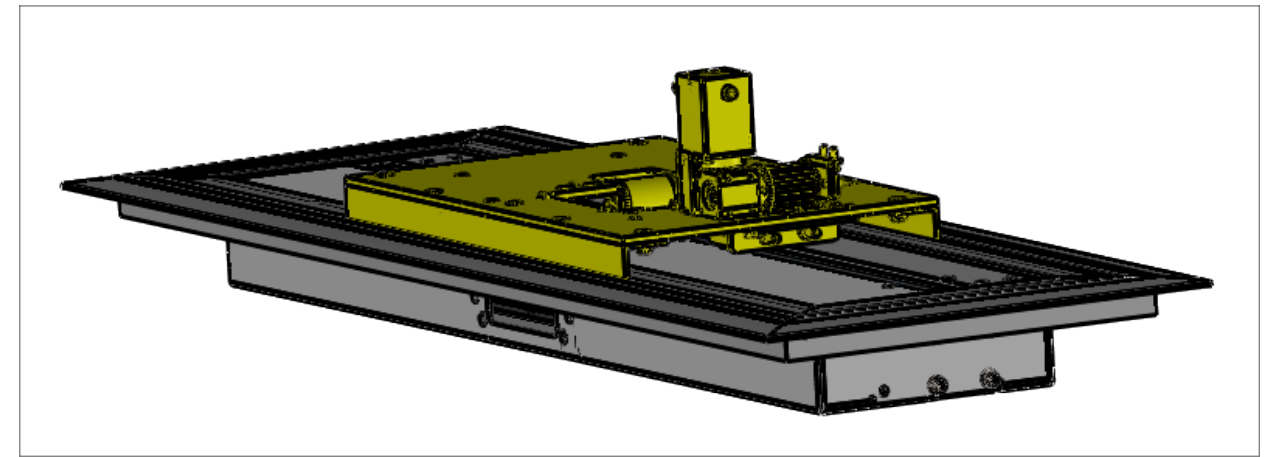


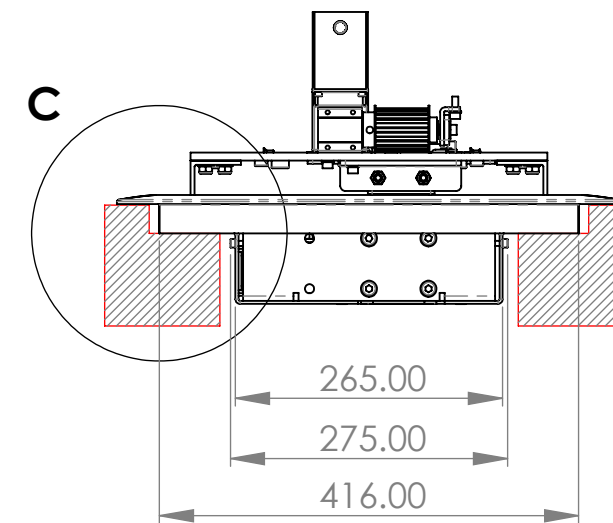
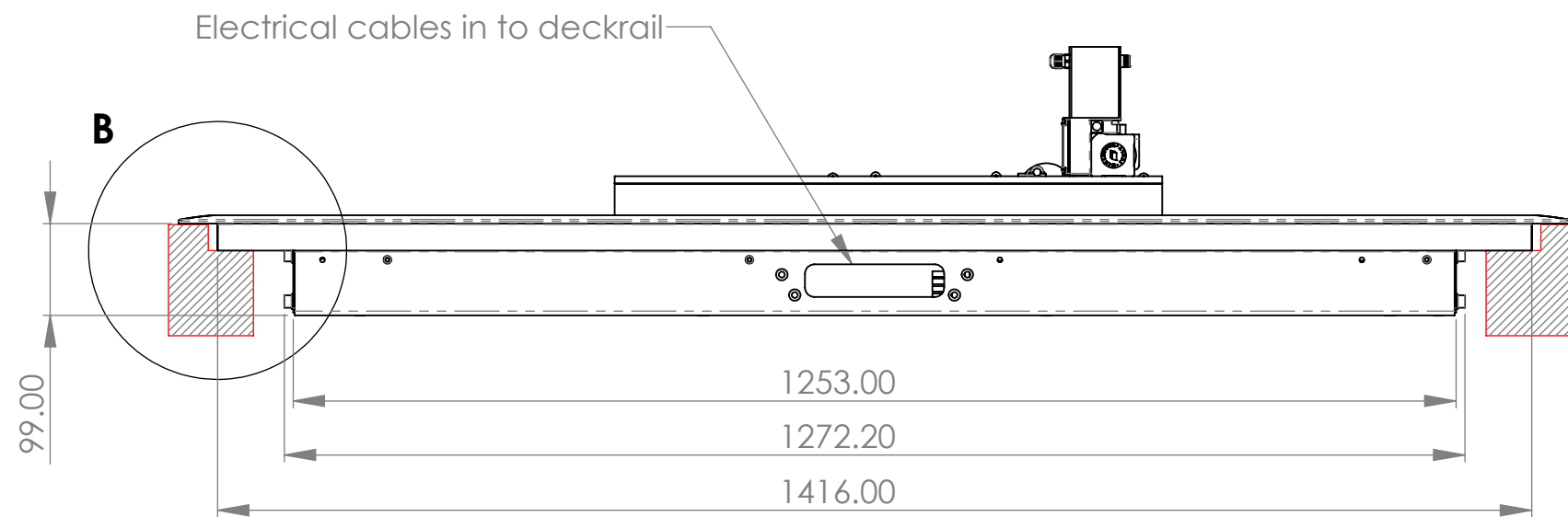
NOTES:

- For chair and track footprint clearance distance refer to drawing 3800-H_With chair



TOLERANCES
Except where otherwise stated

LINEAR		ANGULAR	
X	+/- 0,50	X	+/-0,50
X,X	+/- 0,20	X,X	+/-0,20
X,XX	+/- 0,10	X,XX	+/- 0,10
X,XXX	+/- 0,05	X,XXX	+/- 0,05



REV.	02.0
Dwg. Nr.	3800-H
Title	3800 Horizontal 1,5 m
Configuration	Default
Created	16/02/2016
Material	NA
Finishes	NA



Alu Design & Services AS
Skibaasen 20A. 4636 Kristiansand
www.alu-design.no

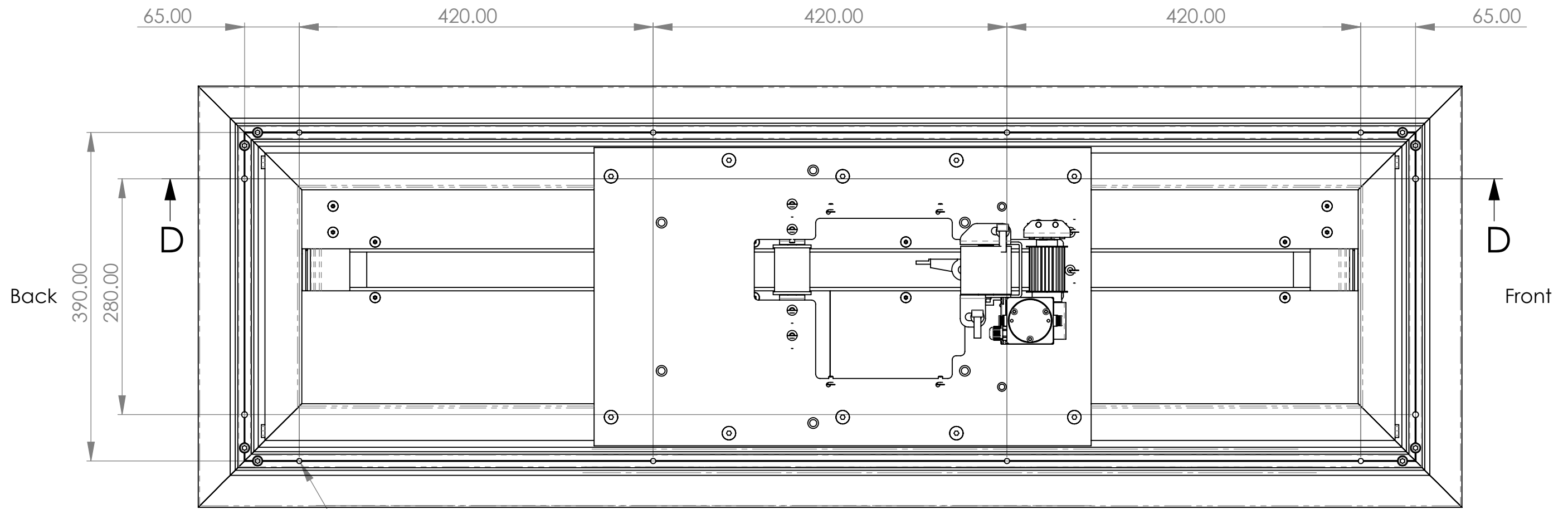
REVISIONS		
REV.	DESCRIPTION	DATE
01.0	First issue	26.07.2016
02.0	Second issue	02.08.2016

These drawings and specifications are the property of Alu Design & Services. They are issued in strict confidence and shall not be reproduced, copied, or used as the basis manufacturing or sale of apparatus without written permission

Unless otherwise specified dimensions are in millimeters

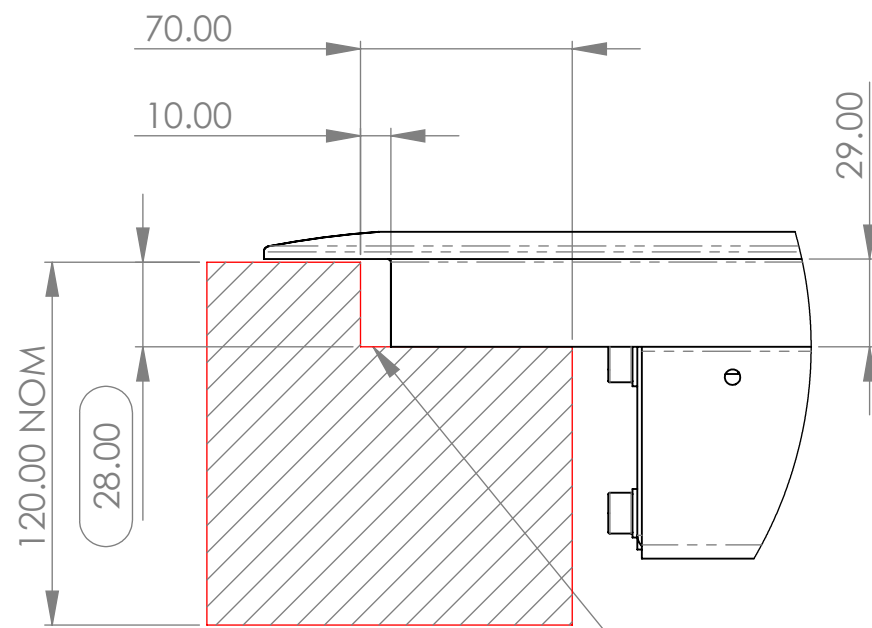
NAME DATE
Saved SK 5/08/2016

SCALE:1:7.5
SHEET 1 OF 2



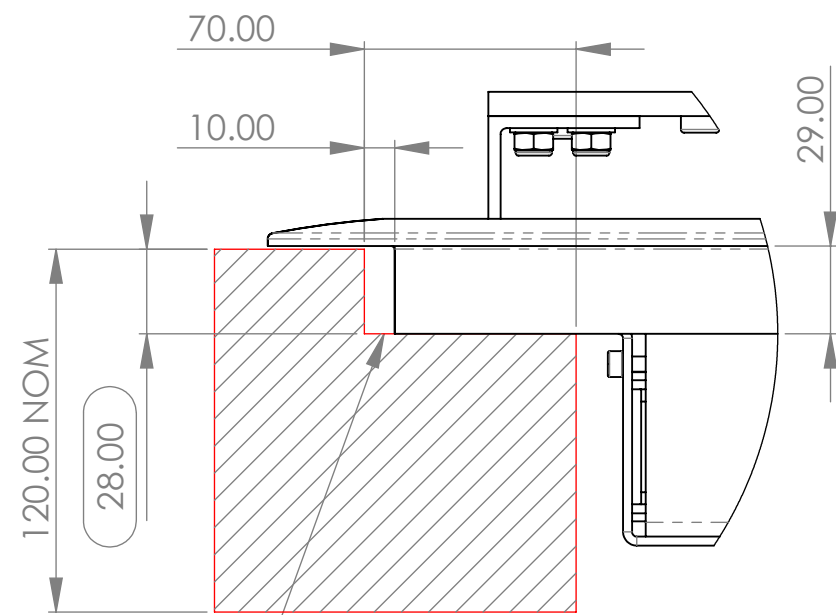
Mounting holes
 $\varnothing 6.20$ THRU
 12 places

MOUNTING HOLE LOCATION
 Top View (No hole covers)

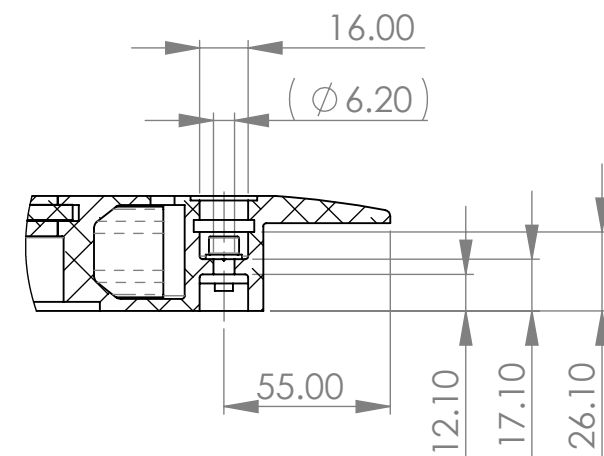


DETAIL B
 SCALE 1 : 2.5

The deckrail must ONLY be supported on this surface



DETAIL C
 SCALE 1 : 2.5



SECTION D-D
 Typical detail through mounting holes
 SCALE 1 : 2.5

TOLERANCES
 Except where otherwise stated

LINEAR		ANGULAR	
X	+/- 0,50	X	+/-0,50
X,X	+/- 0,20	X,X	+/-0,20
X,XX	+/- 0,10	X,XX	+/- 0,10
X,XXX	+/- 0,05	X,XXX	+/- 0,05

REV.	02.0
Dwg. Nr.	3800-H
Title	3800 Horizontal 1,5 m
Configuration	Default
Created	16/02/2016
Material	NA
Finishes	NA

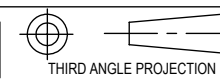


Alu Design & Services AS
 Skibaasen 44. 4636 Kristiansand
 www.alu-design.no



These drawings and specifications are the property of Alu Design & Services. They are issued in strict confidence and shall not be reproduced, copied, or used as the basis manufacturing or sale of apparatus without written permission

Unless otherwise specified
 dimensions are in millimeters



NAME
 SK

DATE
 5/08/2016

SCALE:1:5
 SHEET 2 OF 2

A3