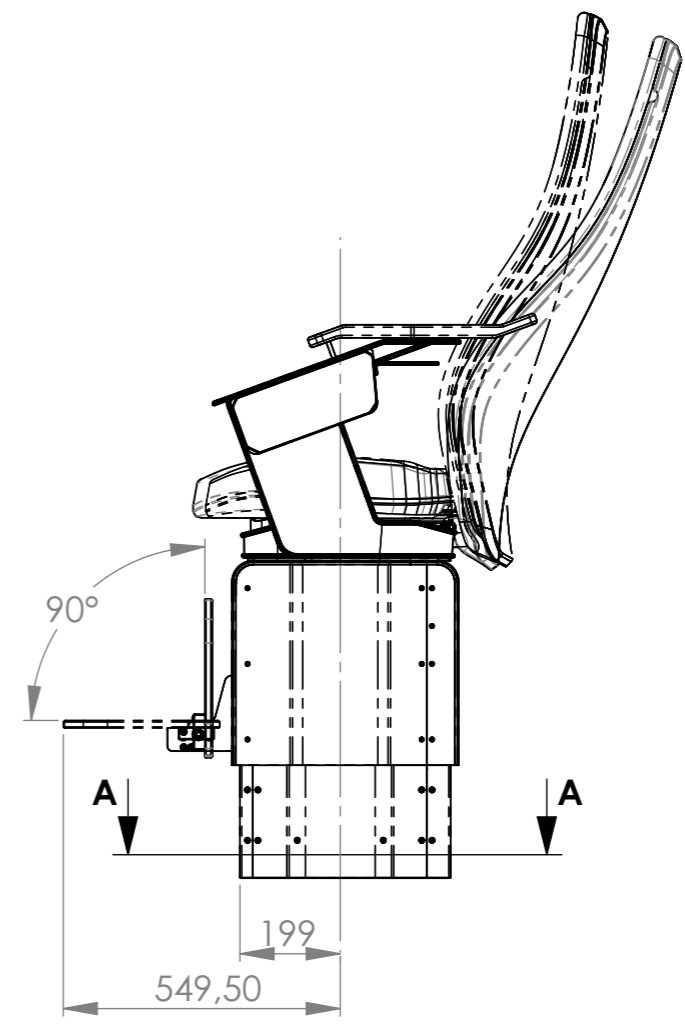
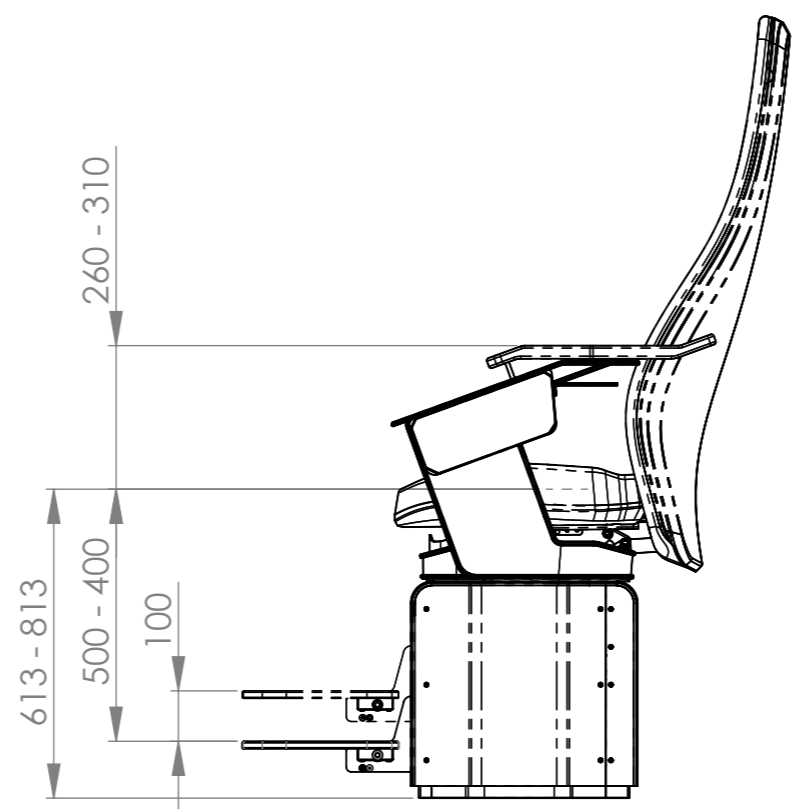
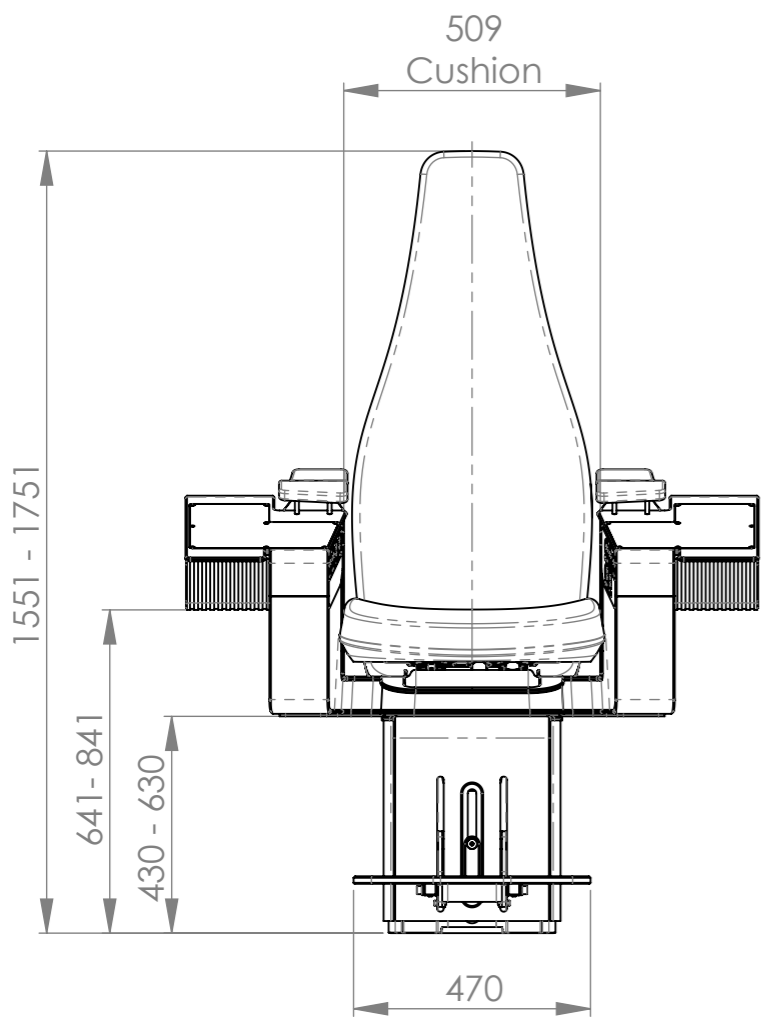


SECTION A-A  
MOUNTING TO FLOOR  
SCALE 1 : 10



REV.	05.0
Dwg. Nr.	S12-200-FM_Ergonomics
Title	S12-200-FM_Ergonomics
Configuration	S12-0200 FM
Created	22.04.2021
Material	See Part Files
Finishes	See Part Files



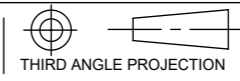
Alu Design & Services AS  
Skibaasen 44. 4636 Kristiansand  
www.alu-design.no

REVISIONS		
REV.	DESCRIPTION	DATE
05.0	Drawing released	31.01.2022



These drawings and specifications are the property of Alu Design & Services. They are issued in strict confidence and shall not be reproduced, copied, or used as the basis manufacturing or sale of apparatus without written permission

Unless otherwise specified dimensions are in millimeters



NAME DATE SCALE:1:15  
Saved MAE 31.01.2022 SHEET 1 OF 1

A3